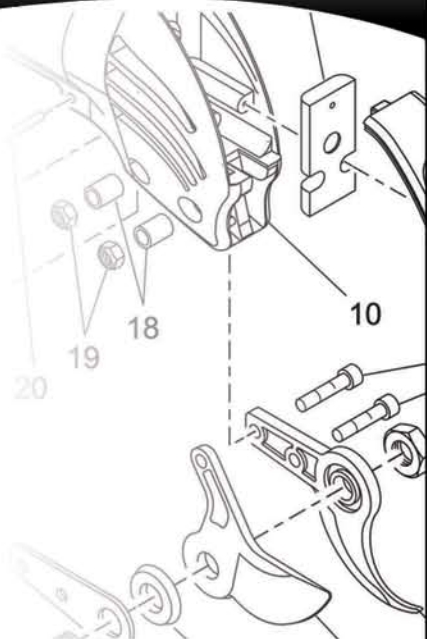




Superstar 2 pneumatic shear

Following in the tradition of the well known Superstar, the Superstar 2 is the culmination of 50 years of experience in pneumatic pruning systems.



After more than 30 years as the market leader in pneumatic pruners the Superstar has been replaced by the new generation of pneumatic pruner designed and developed by Campagnola. The Superstar 2 incorporates many of the popular features of the original Superstar and other tools in the Campagnola range. With the additions of some new innovations, the Superstar 2 is suitable for any type of pruning application.

The piston and cylinder are protected by a special connecting rod cover which prevents dirt and debris from entering the air chamber and scouring the sleeve and seals. The cylinder also has a replaceable brass liner as do all Campagnola pruners. The piston remains the same diameter as the previous model however, due to the unique design of the connecting rod there is less friction in the cylinder, resulting in an approximate 15% rise in cutting power. The blade setup is attached by bolts that pass completely through the body and are secured with ny-lock nuts.

The Superstar 2 is also adaptable for use with a Campagnola fixed or telescopic extension, enabling the user to prune as high as 5 metres off the ground with out the use of a ladder.

Running Requirements

An 18cfm compressor will comfortably supply 4 Superstar pruners. It is recommended that hose with an inside diameter of no less than 6mm be used for lengths up to 200 metres. Hose with a 4mm inside diameter can be used for lengths less than 100 metres though 6mm is still recommended.

TECHNICAL SPECIFICATIONS

Weight Running Pressure Air Usage Cutting Capacity



590g



120 psi
(145 psi max.)



80 ltr/min



31mm



ALLENDALE
GARDEN PRODUCTS

Phone (03) 547 6874 | Fax (03) 547 6894
Email info@allendalegp.co.nz

WWW.ALLENDALEGP.CO.NZ

PROUDLY IMPORTED AND DISTRIBUTED BY