



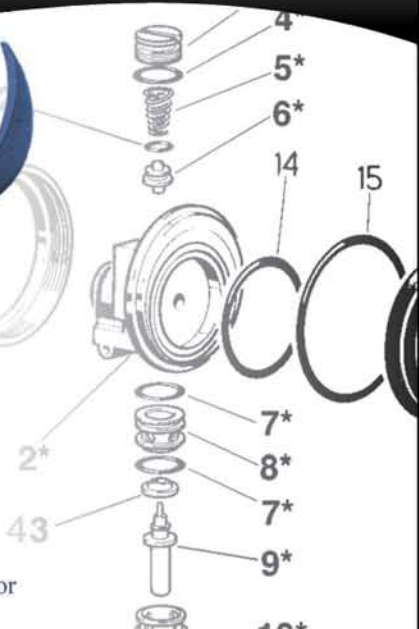
F4 pneumatic shear

Power-plus for the Orchardist.

F4 pruner



F4 pruner
with adaptor



The F4 is the sturdiest and most powerful of the Campagnola tools designed for one-handed use. The F4's larger diameter piston chamber is due to its heavy duty piston system, giving it more power than other one-handed air pruners.

The magnesium cast body is robust and can take the extra strain of heavy duty work. Because of this it is best suited for hard woods and will cut wood up to 35mm thick. The F4 is also perfectly suited for use on a Campagnola Telescopic Extension pole by fitting the pole adaptor when desired. If the user intends to operate the F4 only with an extension pole and not as a hand pruner, the F4 can be purchased without the valve and trigger assembly, pre-fitted with a Campagnola extension pole adaptor. This is a more economical option for users rather than buying additional parts.

Running Requirements

An 18cfm compressor will comfortably supply 4 F4 pruners. It is recommended that hose with an inside diameter of no less than 6mm be used for lengths up to 150 metres. Hose with a 4mm inside diameter can be used for lengths less than 100 metres though 6mm is still recommended.



TECHNICAL SPECIFICATIONS

Weight Running Pressure Air Usage Cutting Capacity



790g



120 psi
(145 psi max.)



80 ltr/min



35mm



ALLENDALE
GARDEN PRODUCTS

Phone (03) 547 6874 | Fax (03) 547 6894
Email info@allendalegp.co.nz

WWW.ALLENDALEGP.CO.NZ

PROUDLY IMPORTED AND DISTRIBUTED BY